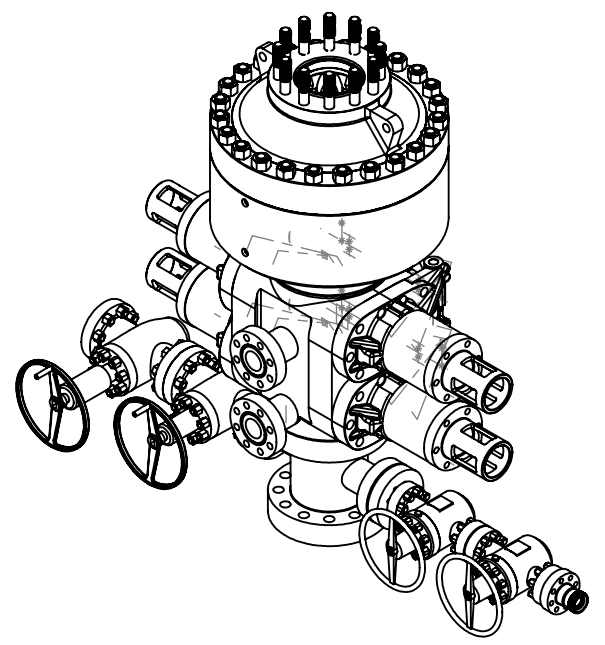
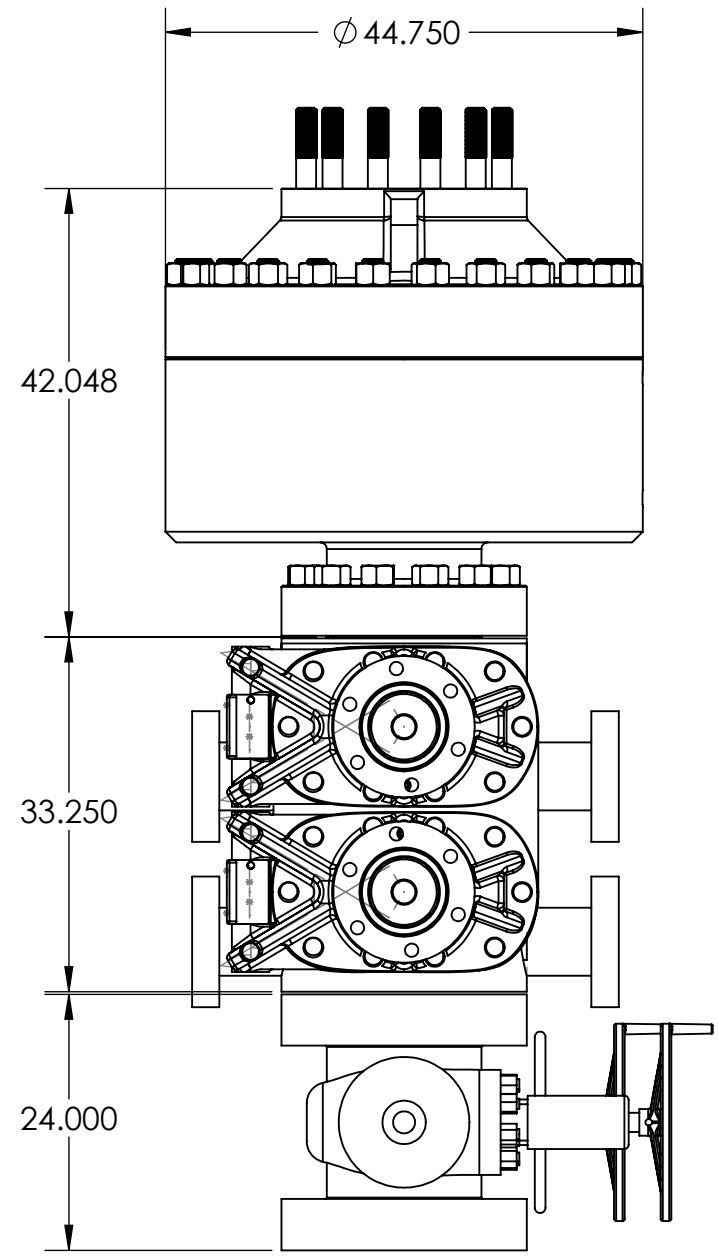
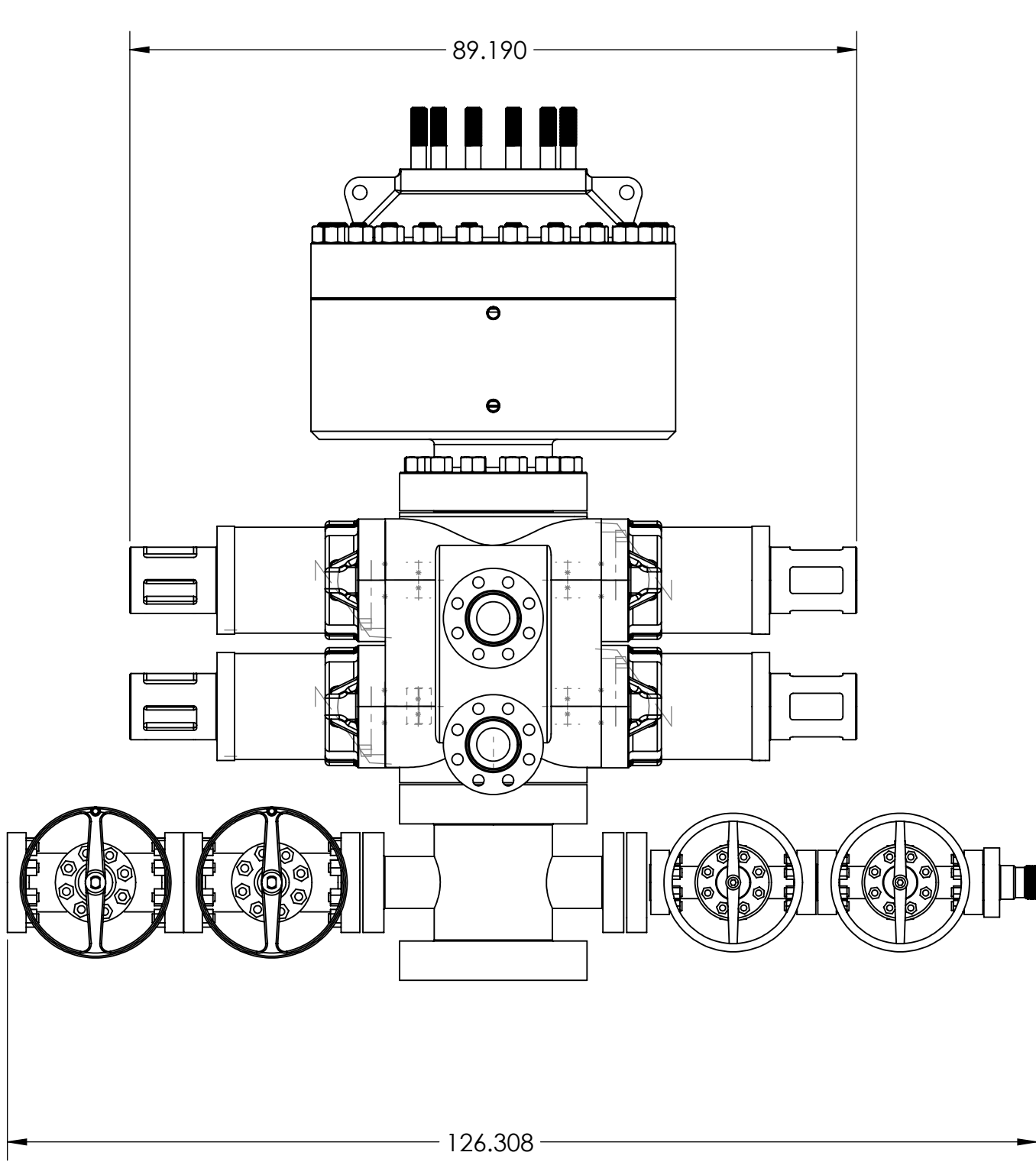


PROPRIETARY AND CONFIDENTIAL
 THE INFORMATION CONTAINED IN THIS DOCUMENT IS THE SOLE PROPERTY OF HORN EQUIPMENT CO., LLC. ANY REPRODUCTION IN PART OR AS A WHOLE WITHOUT THE PERMISSION OF HORN EQUIPMENT CO., LLC IS STRICTLY FORBIDDEN.



NOTES:
 1. ALL RING GROOVE AND SEALING SURFACES $\sqrt{63}$ UNLESS NOTED OTHERWISE
 2. ALL DIAMETERS CONCENTRIC 0.005
 3. REMOVE ALL BURS AND SHARP EDGES (R 1/32" IF NOT OTHERWISE SHOWN)

| DATE | REV | DCN # | APPD |
|------|-----|-------|------|
| | | | |
| | | | |
| | | | |
| | | | |

MATERIAL: 4130 75K
 MATERIAL SPECS:
 UNLESS OTHERWISE SPECIFIED:
 DIMENSIONS ARE IN INCHES
 TOLERANCES:
 ANGLES $\pm 5^\circ$
 RADIUS $.031R \pm .004$
 ANGULAR: ± 5
 ONE PLACE DECIMAL $\pm 1/32"$
 TWO PLACE DECIMAL $\pm 0.016"$
 THREE PLACE DECIMAL $\pm 0.008"$
 FINISHES 125



| | | | | | | | |
|--------------|----------|-----------------------|--|----------------|--|------------------------------------|--|
| 11" 5M STACK | | 11" 5M TYPE HD Double | | 11" 5M TYPE HA | | 4-1/16" 5M & 2-1/16" 5M C&K Valves | |
| SIZE | DWG. NO. | PRT. NO. | | REV.: A | | SHEET 1 OF 1 | |
| B | | | | | | | |