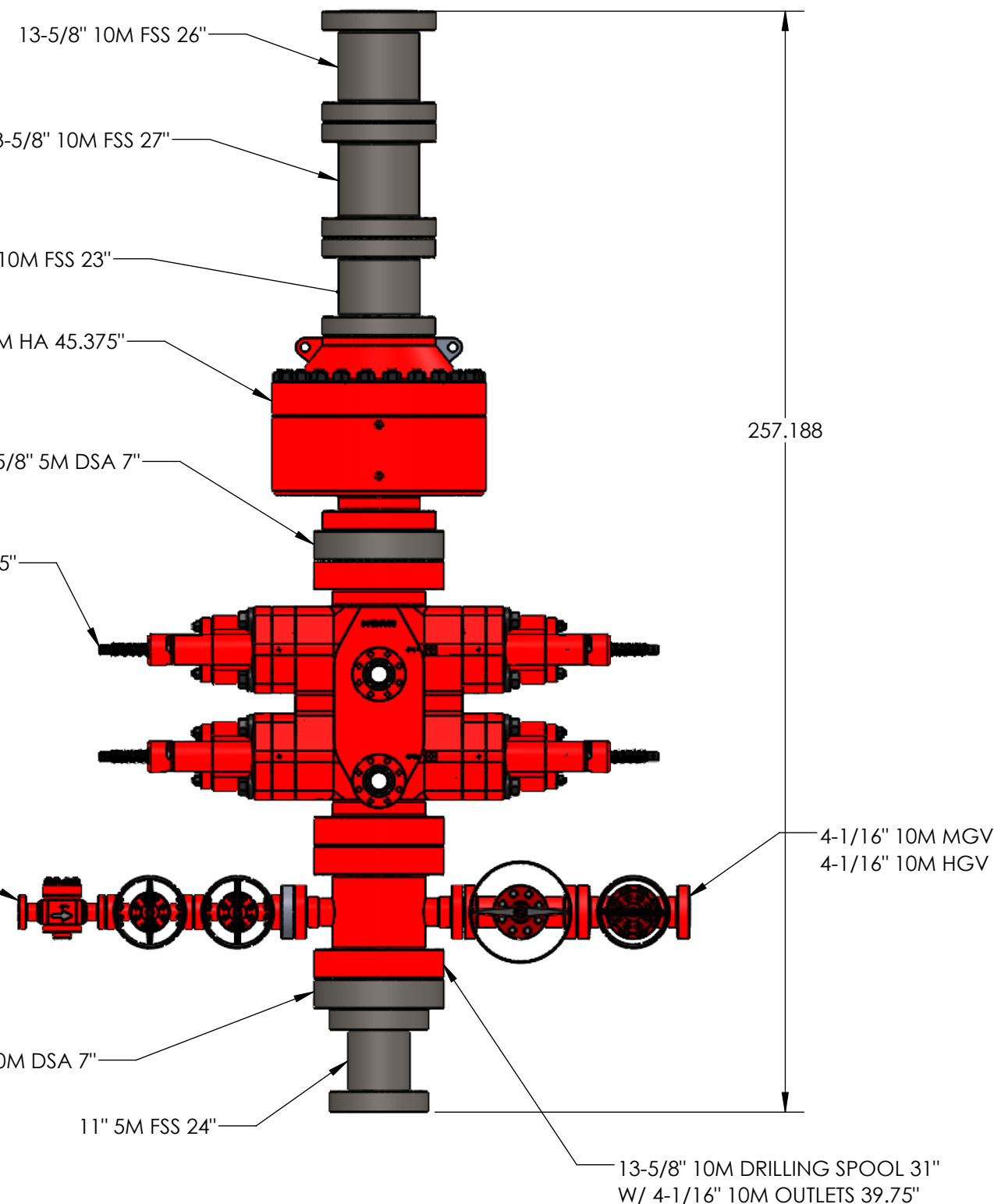


PROPRIETARY AND CONFIDENTIAL
 THE INFORMATION CONTAINED IN THIS DOCUMENT
 IS THE SOLE PROPERTY OF
 HORN EQUIPMENT CO., LLC. ANY REPRODUCTION
 IN PART OR AS A WHOLE WITHOUT THE PERMISSION
 OF HORN EQUIPMENT CO., LLC IS STRICTLY
 FORBIDDEN.

A
B
C
D
E



- NOTES:
1. ALL R AND RX RING GROOVE AND SEALING SURFACES $\sqrt{63}$ UNLESS NOTED OTHERWISE
 2. BX RING GROOVES $\sqrt{32}$ OR BETTER
 3. ALL DIAMETERS CONCENTRIC 0.005
 4. REMOVE ALL BURS AND SHARP EDGES (R 1/32" IF NOT OTHERWISE SHOWN)

DATE	REV	DCN #	APPD

MATERIAL: 4130 Q&T
 MATERIAL SPECS:
 DRAWN BY: BS
 CHECKED BY:

UNLESS OTHERWISE SPECIFIED:
 DIMENSIONS ARE IN INCHES
 TOLERANCES:
 ANGLES $\pm 25^\circ$
 RADIUS $.031R \pm .004$
 ANGULAR: ± 5
 ONE PLACE DECIMAL $\pm 1/32"$
 TWO PLACE DECIMAL $\pm 0.016"$
 THREE PLACE DECIMAL $\pm 0.008"$
 FINISHES $125\sqrt{}$



ATLAS RIG #6 STACK 5-17-2024	
SIZE B	DWG. NO.
SCALE: 1:20	REV.: A
SHEET 1 OF 1	